

# PIUSI SQUALO35 SUBMERSIBLE ADBLUE® 240V TRANSFER PUMP

## FEATURES

- HEAVY DUTY
- REGENERATIVE TURBINE
- INTEGRATED PRESSURE REGULATOR
- BUILT-IN NON RETURN VALVE

SQUALO35 is the first submersible pump for AdBlue® to have been especially developed and tested for distribution systems. A centrifugal pump fitted with a turbine regenerator with non-return valve and a built-in innovative pressure regulation system that optimises flow rate performance levels. Consistent flow rate and accuracy during delivery dramatically reduce energy consumption levels. The compact size and special pump design make for easy installation and near-complete emptying of the intended installation tank.

## PERFORMANCE

UP TO <b>35 L/MIN</b> FLOW RATE	<b>AC</b> VOLTAGE POWER
<b>30 MM</b> DEAD LEVEL	



SQUALO35

PACKAGING					
CODE	WEIGHT		PACKAGING		
	KG	LBS	MM	INCH	PCS/BOX
FOO206010	7	15,4	510X240X150	20X9,4X5,6	1
FOO206020	7	15,4	510X240X150	20X9,4X5,6	1



Fluid Handling Innovation



THE HOME OF Fuelcraft

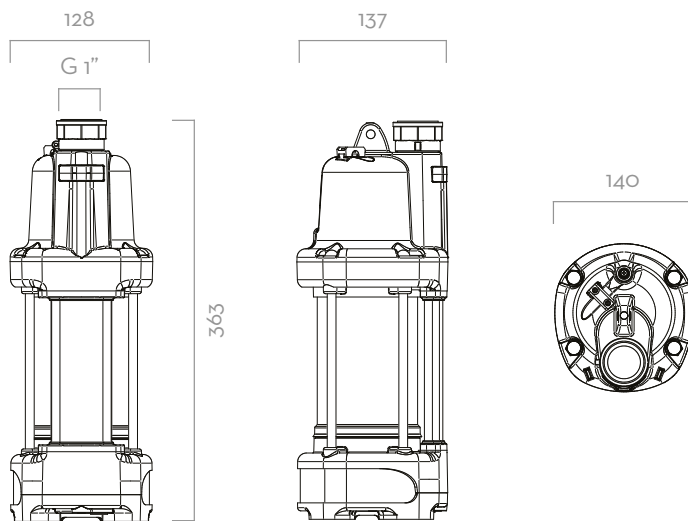
CHART



IN THE BOX

- SQUALO35
- INSTRUCTION MANUAL

DIMENSIONS



Dimensions expressed in millimeters

DETAILS



MATERIALS

- BODY: STAINLESS STEEL/TECHNOPOLYMER
- TURBINE: TECHNOPOLYMER

TECHNICAL DATA

CODICE	DESCRIPTION	FLUIDS TYPE	WORKING PRESSURE		FLOW RATE		VOLTAGE		DEAD LEVEL	POWER CORD
					L/MIN	GPM	CA V/HZ CC V	WATT		
FOO206010	SQUALO35 230/50 BASIC	Ad W	1,8 BAR	27 PSI	35	7,7	230/50	560	30MM	5 M
FOO206020	SQUALO35 230/50 TIMER	Ad W	1,8 BAR	27 PSI	35	7,7	230/50	560	30 MM	5 M

476 Boundary Rd  
Derrimut  
VICTORIA 3026

Phone: 03 9311 7822  
E-mail: sales@liquipvictoria.com.au

